

AM11-5PP Series

CLEAN COMFORT™ INDOOR AIR ESSENTIALS

Description

The Clean Comfort™ AM11-5PP Series of MERV 11 Series media air cleaners for residential applications helps remove a wide range of airborne particles as small as 0.3 micron. Types of particles removed include atmospheric and household dust, coal dust, insecticide dust, mites, pollen, mold spores, fungi, bacteria, viruses, pet dander, cooking smoke and grease and tobacco smoke.

- Helps provide relief from allergy and asthma symptoms
- Helps protect and prolong the operating efficiency of the heating and cooling equipment
- Helps prevent damaging black dust from staining walls, upholstery and window coverings, reducing the amount of time and money spent cleaning and redecorating
- Space saving design for vertical installations, reduces installation space by 6-8 inches.
- Eliminates the need for a 90° duct adapter, as it works as a turning vane providing even distribution across the media filter

Standard Features

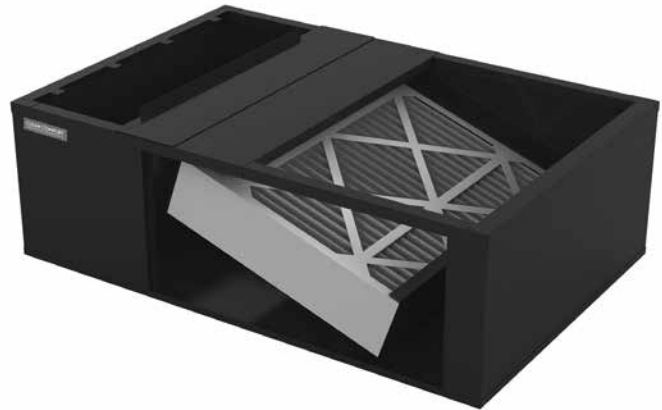
- Includes **MERV 11** media filter, rated at 492 feet/ minute, removes airborne contaminants down to 0.3 micron
- Unique filter design features a structured density gradient with an electret charge for higher initial and sustained efficiency over the life of the filter
- Filter material is constructed of cellulose-free, hydrophobic polyolefin fibers that will not shred or absorb moisture
- Extra deep, 5¼ inch pleated filter with long filter life and low static pressure. Filter lasts up to one year in standard applications
- Perfect-fit filter has an exact fit with the cabinet ensuring no air bypass so all air in the return duct is treated
- Pre-assembled filter frame is made of strong beverage board. Quick and easy to change filter when needed
- Heavy-gauge, galvanized-steel cabinet and powder-coat paint finish resist corrosion and provide trouble-free installation
- Maintenance-free except for filter replacement
- No electrical hook-up required

MERV 11 PLATFORM MEDIA AIR CLEANERS

FOR FURNACES AND AIR HANDLERS

MODELS

**AM11-2832-5PP • AM11-2843-5PP
AM11-2232-5PP • AM11-2240-5PP**



- Adjustable inlet duct opening eliminates need for field-installed transitions, significantly reducing installation time
- Two, pull-out doors with handle allow filter access from either side

Replacement Media Filters

Replacement filters are packaged 3 per box. Replace 1 to 2 times per year depending on climate, home renovations, smoking in home, or number of pets. For models:

Air Cleaner Model	Replacement Filter Part
AM11-2832-5PP for furnace installations	AMP-M8-1056
AM11-2843-5PP for furnace installations	AMP-M8-1056
AM11-2232-5PP for air handler installations	AMP-M2-1056
AM11-2240-5PP for air handler installations	AMP-M8-1056

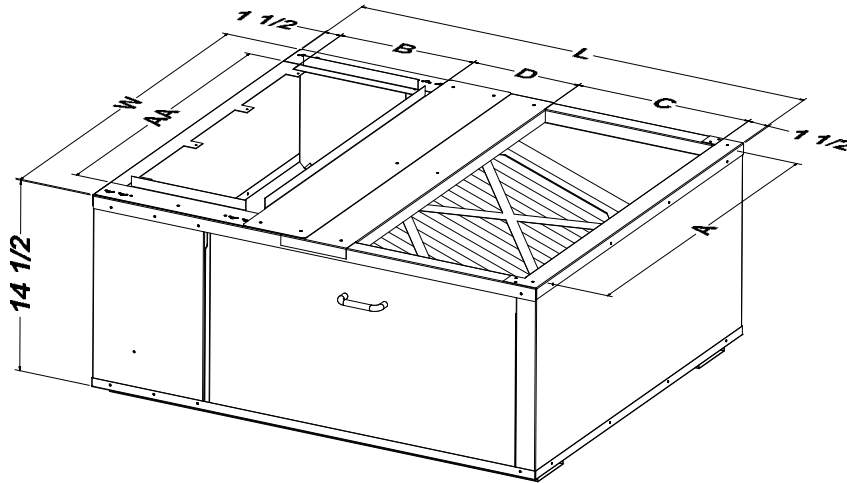
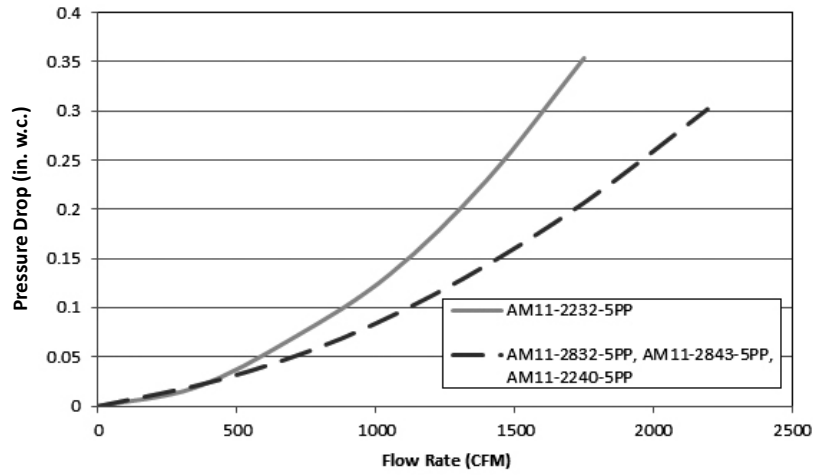


* Complete warranty details available from your local dealer or at www.cleancomfort.com.



TECHNICAL SUPPORT • 1-800-267-8305 • www.cleancomfort.com

Pressure Drop Across Filter (MERV 11)



Model	W	L	AA	A	B	(C) Size Range	(C) Prepunched Holes	(D) Range	Filter Size	Replacement Filter
AM11-2833-5PP*	28½	33	23¾	26½	8	12½ - 15½	12½ and 15½	6½ - 9½	20 x 25	AMP-M8-1056
AM11-2843-5PP*	28½	43	23¾	26½	10	19 - 24¾	19 and 22½	5½ - 11	20 x 25	AMP-M8-1056
					12	19 - 22½	19 and 22½			
AM11-2232-5PP	22½	32	20½	20½	8	14¼ - 16¼	15½ and 15½	4¼ - 6¼	20 x 20	AMP-M2-1056
AM11-2240-5PP	22½	40	20½	20½	10	20 - 22	20 and 22	5 - 8½	20 x 25	AMP-M8-1056
					12	16½ - 20	16½ and 20			

*Includes removable duct adaptors. Smaller dimension applies when duct adapters are installed

Daikin North America LLC reserves the right to discontinue or change at any time, specifications or designs without notice or without incurring obligations. Performance of the Air Cleaners will depend on house plan design, duct design and heating/cooling equipment.

TECHNICAL SUPPORT • 1-800-267-8305 • www.cleancomfort.com

Our continuing commitment to quality products may mean a change in specifications without notice.

© 2015 • **DAIKIN NORTH AMERICA LLC** • Houston, Texas • Printed in the USA.