

**NO:** 27-10  
**DATE:** 9/15/10  
**TO:** EMERSON CLIMATE TECHNOLOGIES WHOLESALERS  
-EXECUTIVES  
-PRODUCT MANAGERS  
-COPELAND® TECHNICAL SPECIALISTS  
-BRANCH PERSONNEL

**SUBJECT: SERVICE MODEL CHANGES FROM CR\*\*KQ TO CR\*\*K6**

In response to the industry's reduced demand for R-22 reciprocating compressors, the CRK6 service offerings are being consolidated into one bill of material configuration. Small and medium CRKQ service models will become obsolete, moving to CRK6 service. The new CRK6 service compressor offering simplifies compressor replacement stocking by consolidating current bills of material and reducing the number of model variations carried by wholesalers to the minimum required for the field replacement market. Details about the new CRK6 service model and cross reference information is included with this communication. We are making this transition so that Preseason 2011 orders entered for compressors shipping in Feb-Apr 2011 will include these new items. The 10/1/10 price sheets that were distributed include these new **CR\*\*K6 -\*\*\*-875** service models.

*Click on the hyperlinks below for cross reference information.*

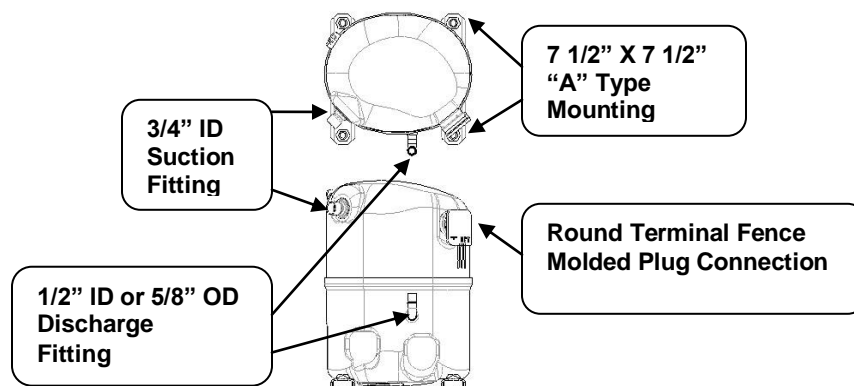
[CRKQ to CRK6 Cross Reference](#) (One page)

[CRK6 SERVICE BOMs to -875 BOM Cross Reference](#) (Two pages)

**CRK6 Service Compressor Configuration**

Dimensions for the tubing connections on the new service compressor variants are 3/4-inch inside diameter (ID) straight suction port and 1/2-inch inside elbow up diameter or 5/8-inch outside diameter (OD) discharge port. The footprint is the same. The new configuration does not have a process tube and the electrical connection will be the round terminal fence for a power cable (Molded Plug Cable) assembly. **Exhibit 1** shows configuration details.

**Exhibit 1- Configuration Details**



A service kit is included with each single packed CR\*\*K6-\*\*\* -875 service model complete with a molded plug wiring harness, wrap around crankcase heater, adapter fittings, mounting parts, and instructions.

Exhibit 2 provides details for the service kit components.

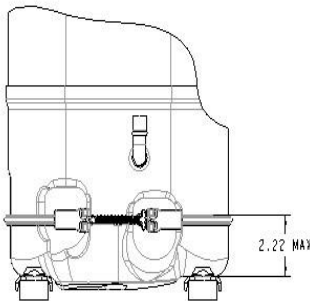
**Exhibit 2 – Service Kit Components**

**A. Molded Plug Wiring Harness 529-0060-04**



- 41.5 – 42.5” Lead Length
- 10 Gage Lead Wire

**B. Wrap around Crank Case Heater [918-0088-00 (w/240V ) or 918-0088-01 (w/480V)]**

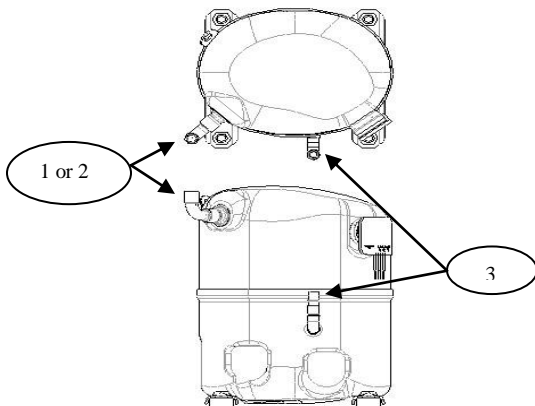


- Flexible material makes it easier to assemble
- Flexible mounting allows even heat transfer
- Even heat transfer eliminates hot spots
- Clasping mechanism keeps heater secure in place
- Crankcase heater installation instructions will be shipped with each service compressor



**C. Adapter Fittings (536-0177-00)**

There are three fittings in a clear bag in each service kit that connects to the elbow up fittings on K6 production models. The fitting details are as follows:



- 1) One 3/4-inch ID suction elbow fitting (036-0363-00)
- 2) One 5/8-inch ID suction elbow fitting. (036-0490-00)
- 3) One Straight coupler 3/8-inch ID x 3/8-inch ID. To be placed into the elbow fitting to connect to the tubing in a 3/8-inch ID or 1/2-inch OD system. (036-1265-02)



Marketing

**B U L L E T I N**

**D. Mounting Parts (Grommets 527-0044-08)**

The Service kit will include a set of mounting parts (grommets) in a clear bag.

**Notes:** For compressors using Rotalock adaptor/s (Suction and/or Suction and Discharge), and Conduit protected systems, separate kits will be available at the distribution center in Mt. Comfort, Indiana.

- Rotalock Adaptors: Part Number: 998-0334-00
- 2 Port Service Valve Kit: Part Number: 998-0510-90 (For 7/8" ID)  
998-0510-69 (For 5/8" ID)
- Power Cable Conduit Kit: Part Number: 998-0529-04
- Conduit box Crank Case Heater: Part Number: 918-0076-02 (For PFV, PFZ, PFJ or TF5)  
918-0076-03 (For TFD, TFE or TFM)

If you have any questions regarding this matter please contact your Emerson District Sales Manager.



Marketing

**B U L L E T I N**

| <b>Current CR**KQ Service Models</b> | <b>New CR**K6 Service Model</b> |
|--------------------------------------|---------------------------------|
| CR16KQ-PFV-980WB                     | <b>CR16K6-PFV-875</b>           |
| CR18KQ-PFV-980WB                     | <b>CR18K6-PFV-875</b>           |
| CR18KQ-TF5-980WB                     | <b>CR18K6-TF5-875</b>           |
| CR18KQ-TFD-980WB                     | <b>CR18K6-TFD-875</b>           |
|                                      |                                 |
| CR20KQ-PFV-980WB                     | <b>CR20K6-PFV-875</b>           |
| CR22KQ-PFV-980WB                     | <b>CR22K6-PFV-875</b>           |
| CR24KQ-PFV-980WB                     | <b>CR24K6-PFV-875</b>           |
| CR24KQ-TF5-980WB                     | <b>CR24K6-TF5-875</b>           |
| CR24KQ-TFD-980WB                     | <b>CR24K6-TFD-875</b>           |
|                                      |                                 |
| CR28KQ-PFV-980WB                     | <b>CR28K6-PFV-875</b>           |
| CR28KQ-TF5-980WB                     | <b>CR28K6-TF5-875</b>           |
| CR28KQ-TFD-980WB                     | <b>CR28K6-TFD-875</b>           |
| CR30KQ-PFV-980WB                     | <b>CR30K6-PFV-875</b>           |
| CR30KQ-TFD-980WB                     | <b>CR30K6-TFD-875</b>           |
|                                      |                                 |
| CR32KQ-PFV-980WB                     | <b>CR32K6-PFV-875</b>           |
| CR32KQ-TF5-980WB                     | <b>CR32K6-TF5-875</b>           |
| CR32KQ-TFD-980WB                     | <b>CR32K6-TFD-875</b>           |
| CR33KQ-PFV-980WB                     | <b>CR32K6-PFV-875</b>           |
| CR33KQ-TF5-980WB                     | <b>CR32K6-TF5-875</b>           |
| CR33KQ-TFD-980WB                     | <b>CR32K6-TFD-875</b>           |
|                                      |                                 |
| CR34KQ-PFV-980WB                     | <b>CR34K6-PFV-875</b>           |
| CR34KQ-TF5-980WB                     | <b>CR35K6-TF5-875</b>           |
| CR34KQ-TFD-980WB                     | <b>CR35K6-TFD-875</b>           |
| CR36KQ-PFV-980WB                     | <b>CR35K6-PFV-875</b>           |
| CR36KQ-TF5-980WB                     | <b>CR35K6-TF5-875</b>           |
| CR36KQ-TFD-980WB                     | <b>CR35K6-TFD-875</b>           |
|                                      |                                 |
| CR37KQ-PFV-980WB                     | <b>CR38K6-PFV-875</b>           |
| CR37KQ-TF5-980WB                     | <b>CR38K6-TF5-875</b>           |
| CR37KQ-TFD-980WB                     | <b>CR38K6-TFD-875</b>           |
|                                      |                                 |
| CR41KQ-PFV-980WB                     | <b>CR42K6-PFV-875</b>           |
| CR41KQ-TF5-980WB                     | <b>CR42K6-TF5-875</b>           |
| CR41KQ-TFD-980WB                     | <b>CR42K6-TFD-875</b>           |



# Marketing

# BULLETIN

| Current CR**K6 Service Model | Current Model Service Bills of Material                                     | All Consolidated to a New Service Model |
|------------------------------|---|---|
| CR14K6-PFV                   | 830   | CR14K6-PFV-875                          |
| CR16K6-PFJ                   | 720,730,760,770,7M1,920,960, <b>970</b>                                     | CR16K6-PFJ-875                          |
| CR16K6-PFV                   | 720,730,760,7M0,7M1,7M2,7W0,7W1,830,870,920, <b>930,960,970</b>             | CR16K6-PFV-875                          |
| CR18K6-PFJ                   | 720,730,760,770,830,871, <b>970</b>   | CR18K6-PFJ-875                          |
| CR18K6-PFV                   | 720,730,760,770,830,870,878,920, <b>960,970</b>                             | CR18K6-PFV-875                          |
| CR20K6-PFV                   | 620,730,760,770,7M2,820,920, <b>960,970</b>                                 | CR20K6-PFV-875                          |
| CR22K6-PFJ                   | 720,730,760,770,7M1,7W1,830,920, <b>960,970</b>                             | CR22K6-PFJ-875                          |
| CR22K6-PFV                   | 720,730,760,770,7M0,7M1,7M2,7W0,7W1,830,870,920, <b>930,960,970</b>         | CR22K6-PFV-875                          |
| CR22K6-TF5                   | 720,730,760,770, <b>960</b>   | CR22K6-TF5-875                          |
| CR22K6-TFD                   | 720,730,760,770, <b>960</b>   | CR22K6-TFD-875                          |
| CR24K6-PFJ                   | 720,730,760,770, <b>960,970</b>   | CR24K6-PFJ-875                          |
| CR24K6-PFV                   | 720,730,760,770,771,7M2,830,870,871,920, <b>930,960,970</b>                 | CR24K6-PFV-875                          |
| CR24K6-TF5                   | 720,730,760,770, <b>960,970</b>   | CR24K6-TF5-875                          |
| CR24K6-TFD                   | <b>960,970</b>  | CR24K6-TFD-875                          |
| CR28K6-PFJ                   | 720,730,760,770,830, <b>970</b>   | CR28K6-PFJ-875                          |
| CR28K6-PFV                   | 720,730,760,770,7M0,7M1,7M2,7W0,830,870,920, <b>930,960,970</b>             | CR28K6-PFV-875                          |
| CR28K6-TF5                   | 720,730,760,770,830,870,920, <b>960,970,975</b>                             | CR28K6-TF5-875                          |
| CR28K6-TFD                   | 720,730,760,770, <b>960,970,975</b>   | CR28K6-TFD-875                          |
| CR30K6-PFJ                   | 730,770, <b>960,970</b>   | CR30K6-PFJ-875                          |
| CR30K6-PFV                   | 720,730,760,770,7M2,870,920, <b>930,960,970</b>                             | CR30K6-PFV-875                          |
| CR30K6-TF5                   | 720,730,760,770, <b>960,970</b>   | CR30K6-TF5-875                          |
| CR30K6-TFD                   | 720,730,760,770, <b>960,970</b>   | CR30K6-TFD-875                          |
| CR32K6-PFJ                   | 720,730,760,770,930   | CR32K6-PFJ-875                          |
| CR32K6-PFV                   | 720,730,760,770,7M2,830,870,920, <b>930,960,970</b>                         | CR32K6-PFV-875                          |
| CR32K6-TF5                   | 720,730,760,770,830,870,871,920, <b>960,970,975</b>                         | CR32K6-TF5-875                          |
| CR32K6-TFD                   | 720,730,760,770,830,870,871,920, <b>960,970,975</b>                         | CR32K6-TFD-875                          |
| CR34K6-PFV                   | 7M0,7M1-7W0,7W1,830,860,870,920, <b>930,960,970</b>                         | CR34K6-PFV-875                          |
|                              | <i>Typical BOM's Wholesalers May Have Sold <b>Bolded</b> In This Column</i> |   |



# Marketing

# BULLETIN

| Current CR**K6 Service Model | Current Model Service Bills of Material   | All Consolidated to a New Service Model |
|------------------------------|---|---|
| CR35K6-PFV                   | 720,730,760,770,7M0,7M1,7W0,7W1,860,870,920, <b>960,970</b>                       | <b>CR35K6-PFV-875</b>                   |
| CR35K6-TF5                   | 720,730,760,770,7M2, <b>830</b> ,860,870,871                                      | <b>CR35K6-TF5-875</b>                   |
| CR35K6-TFD                   | 720,730,760,770,7M2, <b>830</b> ,860,871,920,960, <b>970,975</b>                  | <b>CR35K6-TFD-875</b>                   |
| CR35K6-TFE                   | 720,730,760,770,960, <b>970</b>   | <b>CR35K6-TFE-875</b>                   |
|                              |   |   |
| CR38K6-PFV                   | 720,730,760,770,7M1,7M2, <b>830</b> ,870,871,920,921,930, <b>960,970</b> ,971,975 | <b>CR38K6-PFV-875</b>                   |
| CR38K6-TF5                   | 720,730,760,770,815, <b>830</b> ,870,875,920,921,960, <b>970,975</b>              | <b>CR38K6-TF5-875</b>                   |
| CR38K6-TFD                   | 720,730,760,770,870,921,960, <b>970,975</b>                                       | <b>CR38K6-TFD-875</b>                   |
| CR38K6-TFE                   | 720,730,760,770,870,960, <b>970</b>   | <b>CR38K6-TFE-875</b>                   |
|                              |   |   |
| CR42K6-PFV                   | 720,730,760,770,7M1,7M2,7W1, <b>830</b> ,870,920,921, <b>960,970</b> ,975         | <b>CR42K6-PFV-875</b>                   |
| CR42K6-TF5                   | 720,730,760,770,7M1,815, <b>830</b> ,920, <b>960,961,970</b> ,971,975             | <b>CR42K6-TF5-875</b>                   |
| CR42K6-TFD                   | 720,730,760,770,815, <b>830</b> ,870,871,920, <b>960,970</b> ,971,975             | <b>CR42K6-TFD-875</b>                   |
|                              | <i>Typical BOM's Wholesalers May Have Sold <b>Bolded</b> In This Column</i>       |   |