



Marketing

BULLETIN

NO: 13-11
DATE: 08/10/11
TO: **EMERSON CLIMATE TECHNOLOGIES WHOLESALERS**
-EXECUTIVES
-PRODUCT MANAGERS
-EMERSON® TECHNICAL SPECIALISTS
-BRANCH PERSONNEL

SUBJECT: CS & CF SERVICE COMPRESSOR TRANSITION

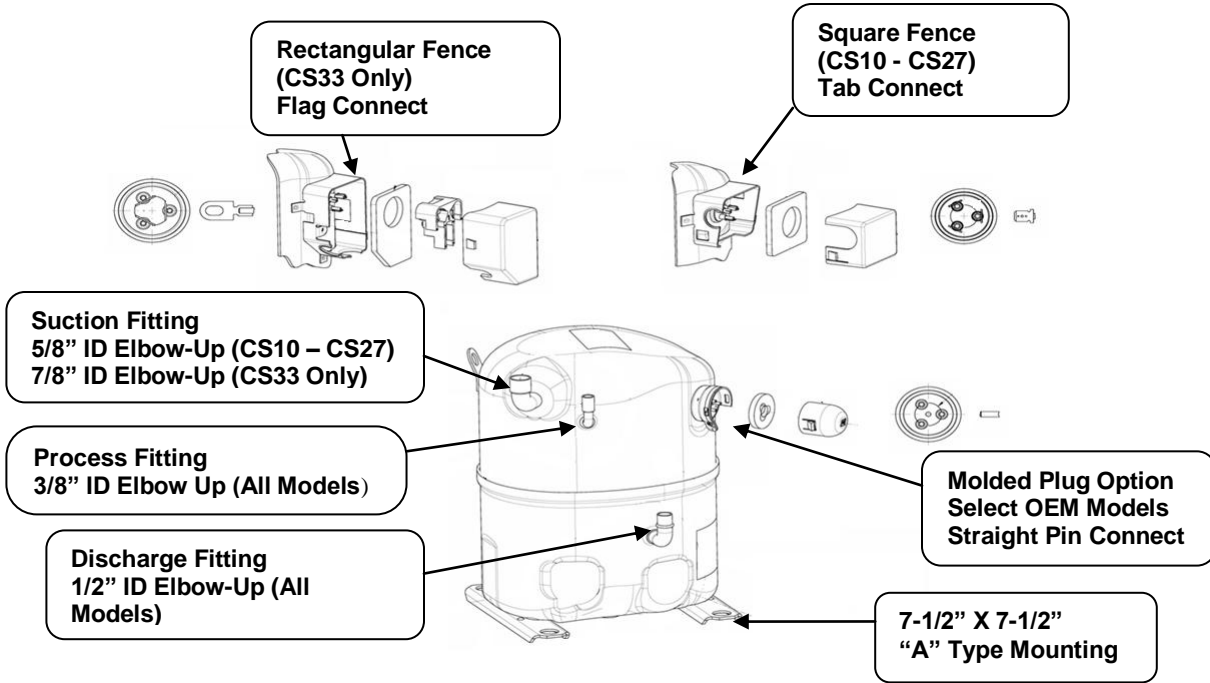
As Emerson continues to streamline and consolidate the CS and CF product offering, several model transitions will be implemented over the next few months. Continue ordering the legacy models detailed in this communication. Emerson will supersede to the replacement models as legacy inventory is depleted.

In the Fall of 2011 we will supersede any new orders for the legacy models to the new replacement models. 2012 Preseason orders and any regular orders will be changed to the new model numbers. The bills of material will be changing from -970 & -979 to -945 on these products (except the CS33 which is -956).

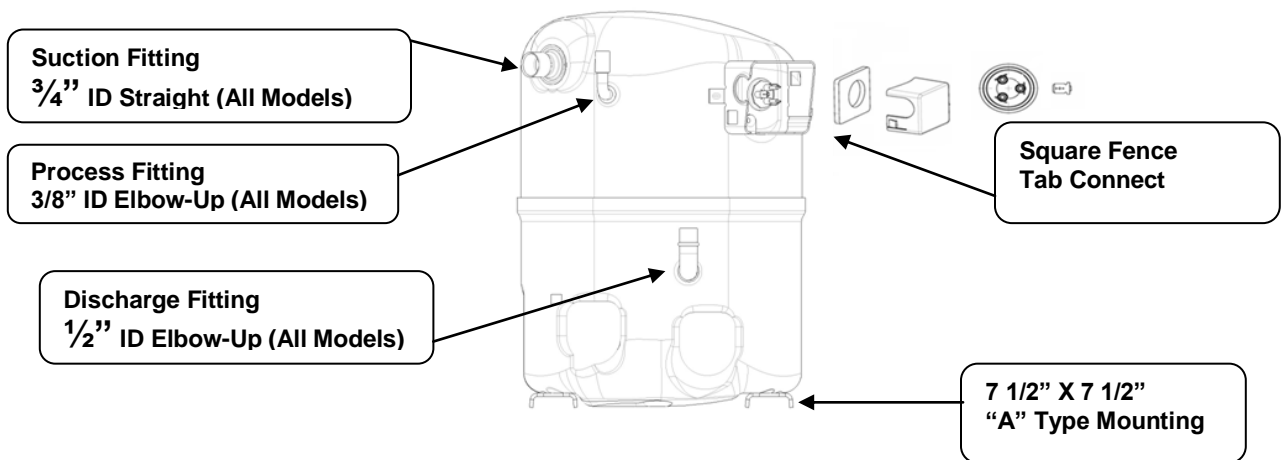
Legacy Models	Replacement Models
CF04K6E-PFV-979	CF04K6E-PFV-945
CF04K6E-TF5-970	CF04K6E-TF5-945
CF06K6E-PFV-979	CF06K6E-PFV-945
CF06K6E-TFD-970	CF06K6E-TFD-945
CF06K6E-TF5-970	CF06K6E-TF5-945
CF09K6E-PFV-979	CF09K6E-PFV-945
CF09K6E-TFD-970	CF09K6E-TFD-945
CF09K6E-TF5-970	CF09K6E-TF5-945
CF12K6E-PFV-979	CF12K6E-PFV-945
CF12K6E-TFD-970	CF12K6E-TFD-945
CF12K6E-TF5-970	CF12K6E-TF5-945
CS10K6E-PFV-979	CS10K6E-PFV-945
CS10K6E-TFD-970	CS10K6E-TFD-945
CS10K6E-TF5-970	CS10K6E-TF5-945
CS12K6E-PFV-979	CS12K6E-PFV-945
CS12K6E-TF5-970	CS12K6E-TF5-945
CS14K6E-PFV-979	CS14K6E-PFV-945
CS14K6E-TFD-970	CS14K6E-TFD-945
CS14K6E-TF5-970	CS14K6E-TF5-945
CS18K6E-PFV-979	CS18K6E-PFV-945
CS18K6E-TFD-970	CS18K6E-TFD-945
CS18K6E-TF5-970	CS18K6E-TF5-945
CS20K6E-PFV-979	CS20K6E-PFV-945
CS20K6E-TFD-970	CS20K6E-TFD-945
CS20K6E-TF5-970	CS20K6E-TF5-945
CS27K6E-PFV-979	CS27K6E-PFV-945
CS27K6E-TFD-970	CS27K6E-TFD-945
CS27K6E-TF5-970	CS27K6E-TF5-945
CS33K6E-PFV-979	CS33K6E-PFV-956
CS33K6E-TFD-970	CS33K6E-TFD-956
CS33K6E-TF5-970	CS33K6E-TF5-956

Note: All new replacement PFV models will continue to include electrical components.

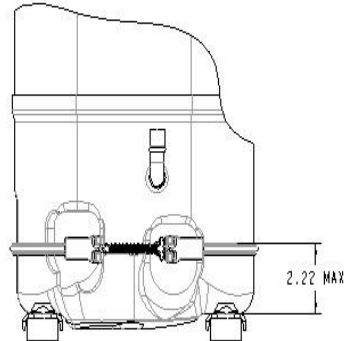
CS Configuration:



CF Configuration:



Crankcase Heater Mounting Location (All CF & CS Models):



The following items are packed with the appropriate replacement compressors:

- Mounting Parts: 527-0044-08 (single phase & 230 volt three phase)
527-0044-15 (three phase both 460 & 575 volt)
- Fitting Adaptors: 536-0177-00 (CS compressors only)
- Poly Crankcase Heater: 918-0088-00 (240/265 volt, 40-49 watts)
918-0088-01 (480/575 volt, 40-57 watts)

Additional Components That Could Be Required:

- Mounting Parts: 527-0044-00 (special applications)
- Crankcase Heater for Conduit: 018-0076-02 (240 volt, 80 watts)
018-0076-03 (480 volts, 80 watts)
- Rotalock Adaptors: 998-0334-00
- 2 Port Service Valve Kit: 998-0510-90 (For 7/8" ID)
998-0510-69 (For 5/8" ID)
- Power Cable Conduit Kit: 998-0529-04
- Molded Plug Cable: 529-0060-24

Contact your Distribution Services Sales Manager or Customer Service with any questions regarding this information.