



REPAIR PARTS

80% GMT, GDT, GMTH
90% GMNT
TUBULAR
GAS FURNACES

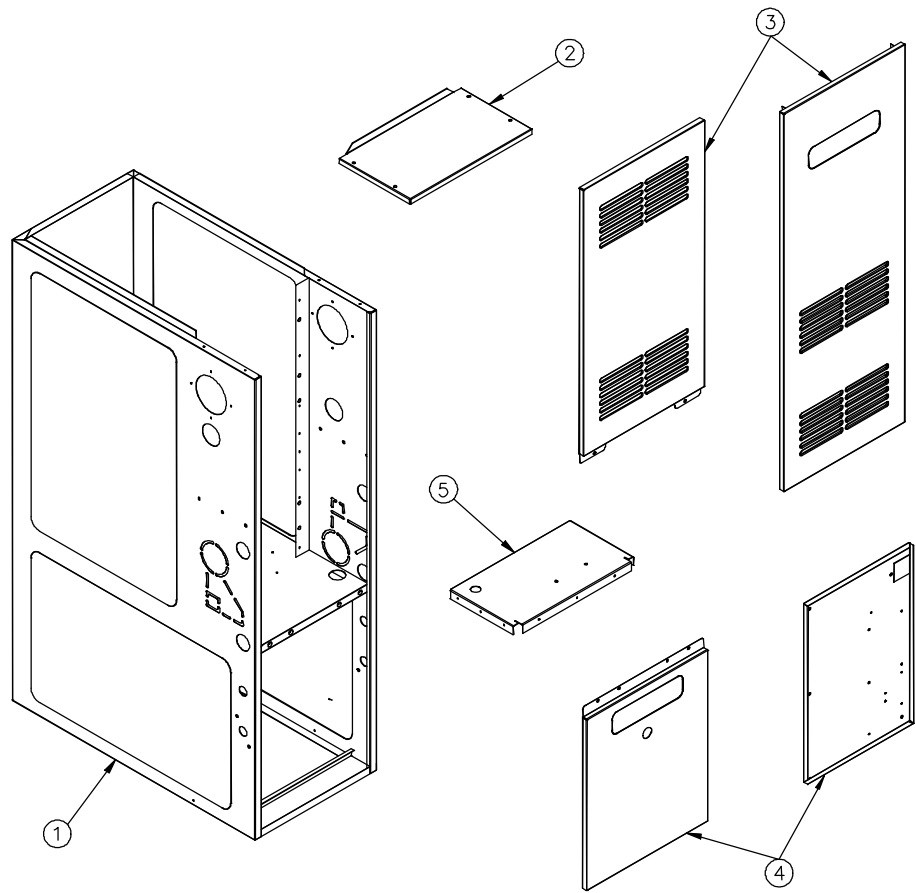


RP281

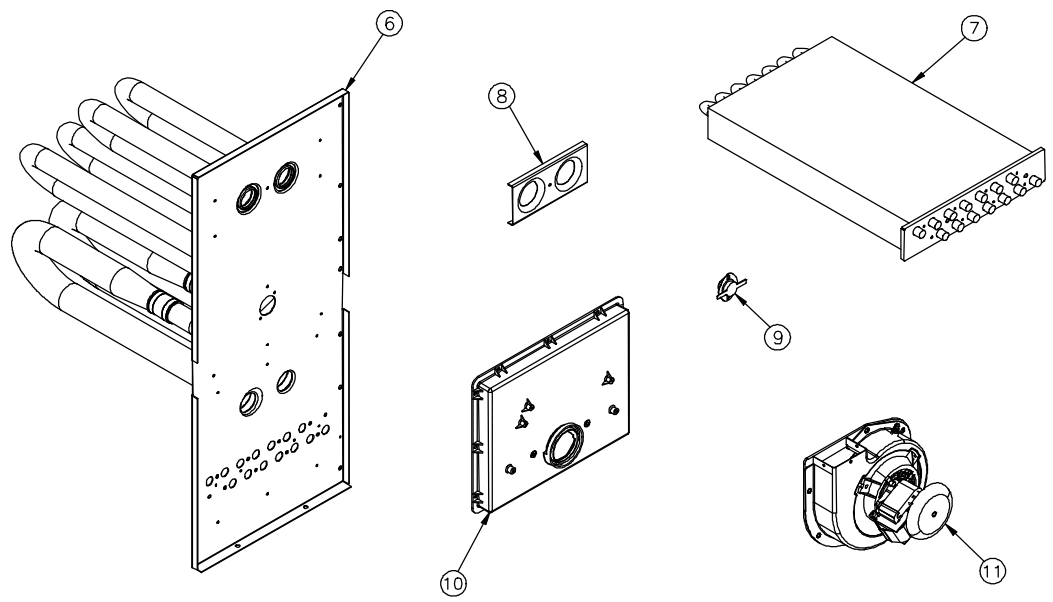
Goodman Manufacturing Company, L.P.
2550 North Loop West, Suite 400
Houston, TX 77092
www.goodmanmfg.com

10/02

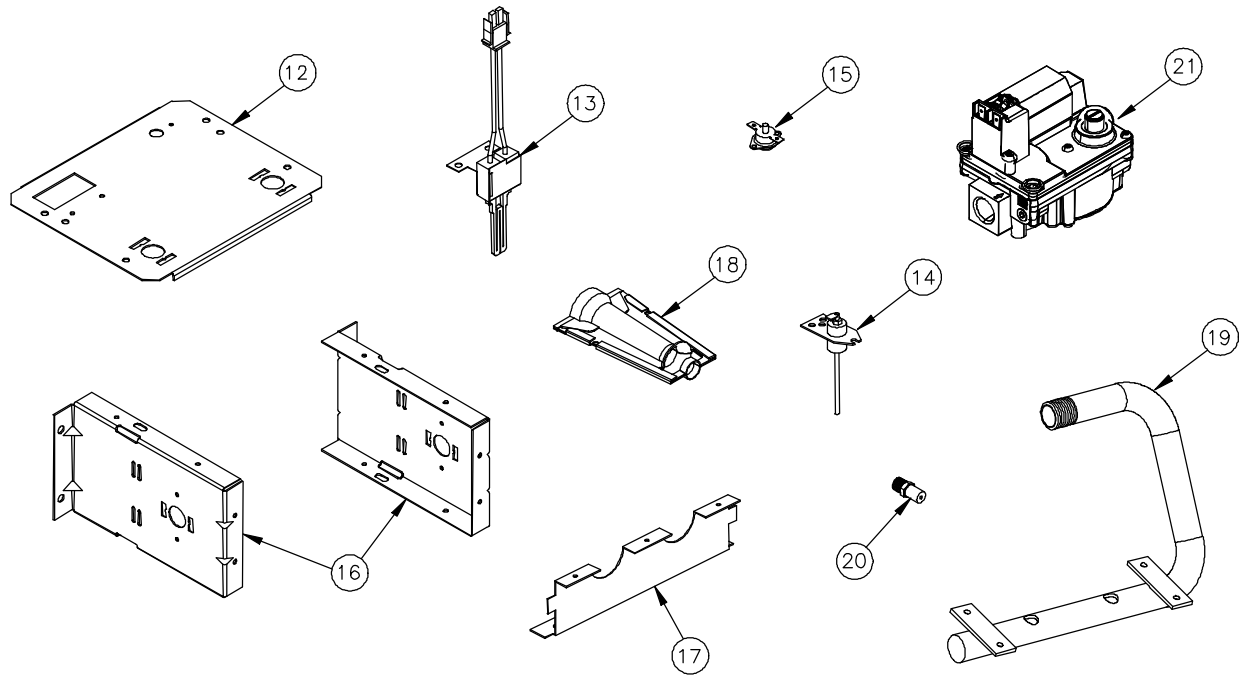
WRAPPER ASSEMBLY



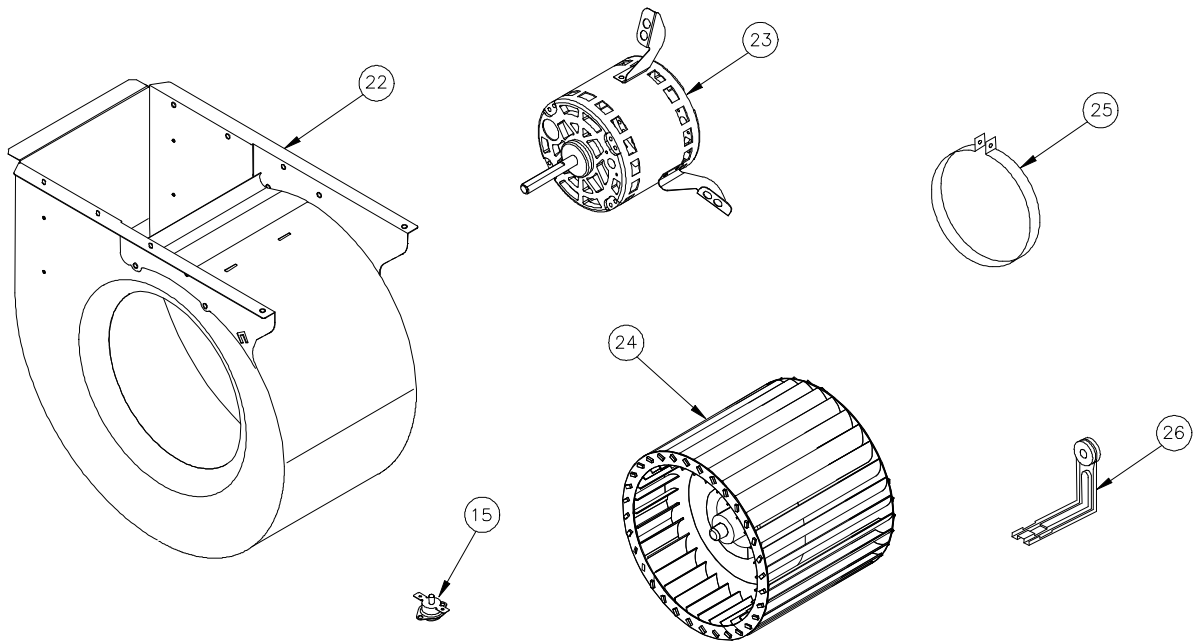
HEAT EXCHANGER ASSEMBLY



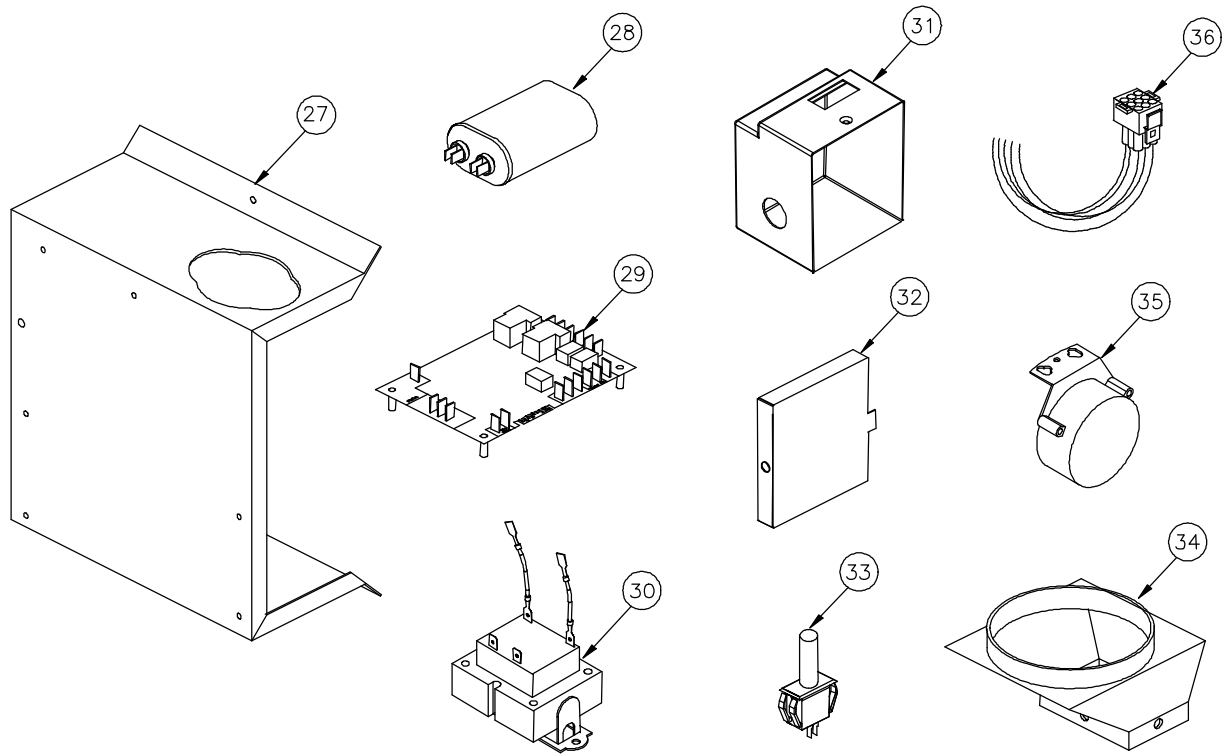
BURNER BOX ASSEMBLY



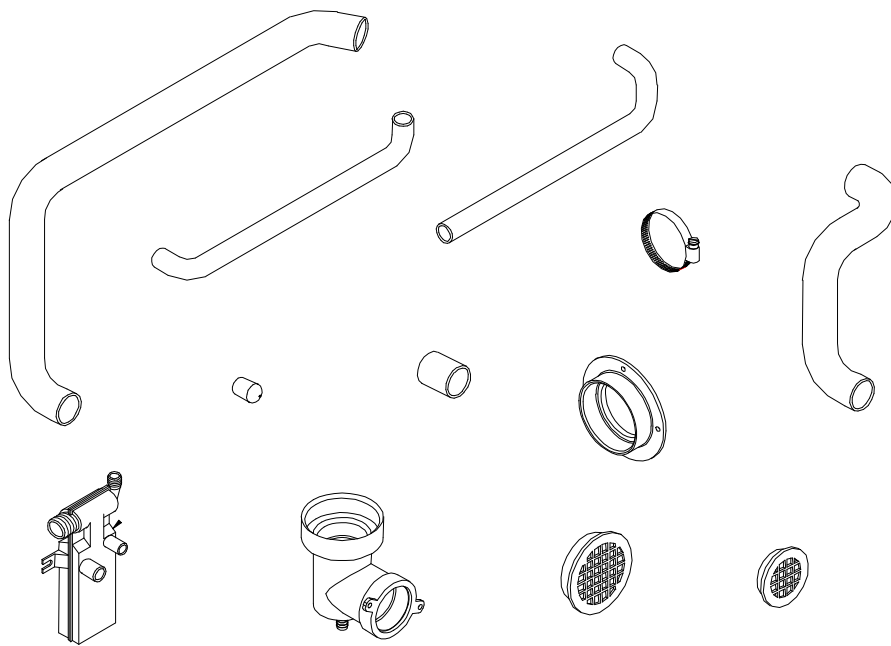
BLOWER ASSEMBLY



MISC. ELECTRICAL & HARDWARE



ITEM #37 DRAIN KIT ASSEMBLY



I T E M	PART	DESCRIPTION	GMT							GDT				GMTH				GMNT						
			0	0	0	0	0	1	1	1	0	0	0	1	0	0	0	1	0	0	0	1	1	
			4	7	7	9	9	9	1	3	4	4	7	9	1	4	7	9	1	4	6	8	0	2
			5	0	0	0	0	0	5	5	0	5	0	0	5	5	0	0	5	0	0	0	0	0
			-	-	-	-	-	-	-	-	-	-	-	-	-	-	-	-	-	-	-	-	-	-
			3	3	4	3	4	5	5	5	5	3	3	4	5	3	4	5	5	3	3	4	4	5
1	4026508S	WRAPPER / INSULATION ASM., 14"	1	1											1									
	4026509S	WRAPPER / INSULATION ASM., 17.5"			1	1	1								1									
	4026510S	WRAPPER / INSULATION ASM., 21"					1	1								1	1							
	4026511S	WRAPPER / INSULATION ASM., 24.5"							1	1														
	4026504S	WRAPPER / INSULATION ASM., 14"									1	1												
	4026505S	WRAPPER / INSULATION ASM., 17.5"											1											
	4026506S	WRAPPER / INSULATION ASM., 21"												1										
	4826500S	WRAPPER / INSULATION ASM., 14"																	1	1				
	4826501S	WRAPPER / INSULATION ASM., 17.5"																			1			
	4826502S	WRAPPER / INSULATION ASM., 21"																				1		
	4826503S	WRAPPER / INSULATION ASM., 24.5"																					1	
2	4008008P	TOP, PAINTED, 14"	1	1								1	1		1									
	4008009P	TOP, PAINTED, 17.5"			1	1	1						1			1								
	4008010P	TOP, PAINTED, 21"					1	1						1			1	1						
	4008011P	TOP, PAINTED, 24.5"							1	1														
	4808000P	TOP, PAINTED, 14"																	1	1				
	4808001P	TOP, PAINTED, 17.5"																			1			
	4808002P	TOP, PAINTED, 21"																				1		
	4808003P	TOP, PAINTED, 24.5"																					1	
3	4012000P	CONTROL ACCESS DOOR, 14"	1	1											1									
	4012001P	CONTROL ACCESS DOOR, 17.5"			1	1	1									1								
	4012002P	CONTROL ACCESS DOOR, 21"					1	1									1	1						
	4012003P	CONTROL ACCESS DOOR, 24.5"							1	1														
	4012004P	ACCESS DOOR, 14"									1	1												
	4012005P	ACCESS DOOR, 17.5"											1											
	4012006P	ACCESS DOOR, 21"												1										
	4812000P*	ACCESS DOOR 14"																	1	1				
	B13926111	SEAL STRIP, 1/8 X 1/2 X 14																	1	1				
	4812001P*	ACCESS DOOR 17.5"																			1			
	B13926112	SEAL STRIP, 1/8 X 1/2 X 17.5																				1		

* WHEN ORDERING ITEM #3, ALSO ORDER (1) B1392139 AND (2) B13926119.

I T E M	PART	DESCRIPTION	GMT					GDT				GMTH				GMNT								
			0	0	0	0	0	1	1	1	0	0	0	1	0	0	0	1	0	0	0	1	1	
			4	7	7	9	9	9	1	3	4	4	7	9	1	4	7	9	1	4	6	8	0	2
			5	0	0	0	0	0	5	5	0	5	0	0	5	5	0	0	5	0	0	0	0	0
			-	-	-	-	-	-	-	-	-	-	-	-	-	-	-	-	-	-	-	-	-	-
			3	3	4	3	4	5	5	5	5	3	3	4	5	3	4	5	5	3	3	4	4	5
3	4812002P*	ACCESS DOOR 21"																					1	
	B13926113	SEAL STRIP, 1/8 X 1/2 X 21																					1	
	4812003P*	ACCESS DOOR 24.5"																						1
	B13926114	SEAL STRIP, 1/8 X 1/2 X 24.5																						1
4	4015000P+	BLOWER ACCESS DOOR 14"	1	1											1				1	1				
	4015001P+	BLOWER ACCESS DOOR 17.5"			1	1	1									1					1			
	4015002P+	BLOWER ACCESS DOOR 21"						1	1								1	1					1	
	4015003P+	BLOWER ACCESS DOOR 24.5"								1	1													1
	2515008	INNER BLOWER DOOR, 14"									1	1												
	2515009	INNER BLOWER DOOR, 17.5"											1											
	2515010	INNER BLOWER DOOR, 21"												1										
5	4815800 #	COMBUSTION PANEL, 14"																	1	1				
	B13926111	SEAL STRIP, 1/8 X 1/2 X 14																	2	2				
	4815801 #	COMBUSTION PANEL, 17.5"																				1		
	B13926112	SEAL STRIP, 1/8 X 1/2 X 17.5																				2		
	4815802 #	COMBUSTION PANEL, 21"																					1	
	B13926113	SEAL STRIP, 1/8 X 1/2 X 21																					2	
	4815803 #	COMBUSTION PANEL, 24.5"																						1
	B13926114	SEAL STRIP, 1/8 X 1/2 X 24.5																						2
6	4021300S	HEAT EXCHANGER SUB ASM., 2 CL, 14"	1									1			1									
	4021307S	HEAT EXCHANGER SUB ASM., 3 CL, 14"		1									1											
	4021308S	HEAT EXCHANGER SUB ASM., 3 CL, 17.5"			1											1								
	4021309S	HEAT EXCHANGER SUB ASM., 4 CL, 17.5"				1	1							1										
	4021310S	HEAT EXCHANGER SUB ASM., 4 CL, 21"						1									1							
	4021311S	HEAT EXCHANGER SUB ASM., 5 CL, 21"							1						1				1					
	4021312S	HEAT EXCHANGER SUB ASM., 6 CL, 24.5"								1	1													
	4821400S	PRIMARY HEAT EXCHANGER ASM., 2 CL, 14"																			1			
	4821401S	PRIMARY HEAT EXCHANGER ASM., 3 CL, 14"																				1		

* WHEN ORDERING ITEM #3, ALSO ORDER (1) B1392139 AND (2) B13926119.

+ WHEN ORDERING ITEM #4, ALSO ORDER (1) B1392139.

WHEN ORDERING ITEM #5, ALSO ORDER (1) B1392153 AND (1) B1392155.

I T E M	PART	DESCRIPTION	GMT						GDT				GMTH				GMNT									
			0 4 5 - 3	0 7 0 - 3	0 7 0 - 4	0 9 0 - 3	0 9 0 - 4	0 9 0 - 5	1 1 5 - 5	1 3 5 - 5	1 4 0 - 5	0 4 5 - 3	0 7 0 - 3	0 9 0 - 4	1 1 5 - 5	0 4 5 - 3	0 7 0 - 4	0 9 0 - 5	1 1 5 - 5	0 4 5 - 3	0 6 0 - 3	0 8 0 - 4	1 0 0 - 4	1 2 0 - 5		
10	4010012S *	FLUE COLLECTOR BOX KIT, 14"	1							1				1												
	4010013S *	FLUE COLLECTOR BOX KIT, 14"		1							1															
	4010014S *	FLUE COLLECTOR BOX KIT, 17.5"			1									1												
	4010015S *	FLUE COLLECTOR BOX KIT, 17.5"				1	1						1													
	4010016S *	FLUE COLLECTOR BOX KIT, 21"						1								1										
	4010017S *	FLUE COLLECTOR BOX KIT, 21"							1					1												
	4010018S *	FLUE COLLECTOR BOX KIT, 24.5"								1	1															
	4810004S	FLUE COLLECTOR BOX KIT, 14"																	1	1						
	4810005S	FLUE COLLECTOR BOX KIT, 17.5"																				1				
	4810006S	FLUE COLLECTOR BOX KIT, 21"																						1		
	4810007S	FLUE COLLECTOR BOX KIT, 24.5"																							1	
11	B4059000	VENT MOTOR	1	1	1	1	1	1	1	1	1	1	1	1	1	1	1									
	B4833000	VENT MOTOR																	1	1	1	1	1			
12	4013000	BURNER BOX TOP, 2 CL	1								1			1					2							
	4013001	BURNER BOX TOP, 3 CL		1	1							1			1					2						
	4013002	BURNER BOX TOP, 4 CL				1	1	1					1			1					2					
	4013003	BURNER BOX TOP, 5 CL							1					1			1						2			
	4013004	BURNER BOX TOP, 6 CL								1	1														2	
13	B1401015S	HOT SURFACE IGNITOR	1	1	1	1	1	1	1	1	1	1	1	1	1	1	1	1	1	1	1	1	1	1	1	1
14	B1172606	FLAME SENSOR	1	1	1	1	1	1	1	1	1	1	1	1	1	1	1	1	1	1	1	1	1	1	1	1
15	B1370145	ROLLOUT SWITCH, 300 W/O BRACKET	2	2	2	2	2	2	2	2	2	2	2	2	2	2	2	2	2	2	2	2	2	2	2	2
16	2514000	BURNER BOX SIDE	2	2	2	2	2	2	2	2	2	2	2	2	2	2	2	2	2	2	2	2	2	2	2	2
17	2513500	BURNER RACK, 2 CL	1								1			1					1							
	2513501	BURNER RACK, 3 CL		1	1								1			1				1						
	2513502	BURNER RACK, 4 CL				1	1	1						1			1				1					
	2513503	BURNER RACK, 5 CL							1						1								1			
	2513504	BURNER RACK, 6 CL								1	1														1	
18	B4022700	INSHOT BURNER, 3"	2	3	3	4	4	4	5	6	6	2	3	4	5	2	3	4	5	2	3	4	5	6		
19	B4026000	MANIFOLD, GAS 2 CL	1									1			1					1						
	B4026001	MANIFOLD, GAS 3 CL		1	1							1			1						1					

* WHEN ORDERING ITEM #10, ALSO ORDER (1) B4059001.

I T E M	PART	DESCRIPTION	GMT									GDT				GMTH				GMNT										
			0 4 5 - 3	0 7 0 - 3	0 7 0 - 4	0 9 0 - 3	0 9 0 - 4	0 9 0 - 5	1 1 5 - 5	1 3 5 - 5	1 4 0 - 5	1 3 5 - 5	0 4 5 - 3	0 7 0 - 3	0 9 0 - 4	0 1 5 - 5	1 4 5 - 3	1 7 0 - 4	1 9 0 - 5	0 4 5 - 3	0 7 0 - 4	0 9 0 - 5	1 4 5 - 3	1 6 0 - 3	1 8 0 - 4	1 0 0 - 4	1 2 0 - 5			
19	B4026002	MANIFOLD, GAS 4 CL				1	1	1						1				1									1			
	B4026003	MANIFOLD, GAS 5 CL							1						1				1									1		
	B4026004	MANIFOLD, GAS 6 CL								1	1																		1	
20	B4089343	GAS ORIFICE, #43	2	3	3	4	4	4	5	6	6	2	3	4	5	2	3	4	5											
	B4089345	GAS ORIFICE, #45																								2	3	4	5	6
21	B1282628*	GAS VALVE, H.S.I.	1	1	1	1	1	1	1	1	1	1	1	1	1	1	1	1	1	1	1	1	1	1	1	1	1	1	1	
	B1282614	GAS VALVE, H.S.I.	1	1	1	1	1	1	1	1	1	1	1	1	1	1	1	1	1											
	B1282615	GAS VALVE, H.S.I.																								1	1	1	1	1
22	2539302	BLOWER SHELL ASM., 11x10								1	1							1	1	1									1	
	2539305	BLOWER SHELL ASM., 10x6	1	1								1	1					1							1	1				
	2539306	BLOWER SHELL ASM., 10x8			1	1	1										1													
	2539307	BLOWER SHELL ASM., 10x10						1	1								1										1	1		
23	B1340020	MOTOR, DIRECT DRIVE, ½ H.P.			1		1	1	1					1	1	1											1	1		
	B1340021	MOTOR, DIRECT DRIVE, 1/3 H.P.	1	1		1						1	1												1	1				
	B1340023	MOTOR, DIRECT DRIVE, 3/4 H.P.								1	1							1	1	1									1	
24	B1368000	BLOWER WHEEL, 11X10								1	1							1	1										1	
	B1368016	BLOWER WHEEL, 10X8			1	1	1							1				1									1			
	B1368034	BLOWER WHEEL, 10X6	1	1								1	1				1							1	1					
	B1368047A	BLOWER WHEEL, 10X10						1	1								1												1	
25	B1376851	MOTOR MOUNT BAND								1	1							1	1	1									1	
26	B1376857	MOTOR MOUNT ARM								3	3							3	3	3									3	
27	1815817	CONTROL MOUNT PANEL	1	1	1	1	1	1	1	1	1						1	1	1	1	1	1	1	1	1	1	1	1	1	
28	B945652	CAPACITOR, 10/370			1		1	1	1					1	1	1											1	1		
	B945672	CAPACITOR, 12.5/370	1	1		1				1	1	1	1					1	1	1	1	1	1	1	1	1	1	1	1	
29	1809913S	HSI BOARD W/9-PIN CONNECTOR	1	1	1	1	1	1	1	1	1	1	1	1	1	1	1	1	1	1	1	1	1	1	1	1	1	1	1	
30	B1141605	TRANSFORMER	1	1	1	1	1	1	1	1	1	1	1	1	1	1	1	1	1	1	1	1	1	1	1	1	1	1	1	
31	4014500	J-BOX	1	1	1	1	1	1	1	1	1	1	1	1	1	1	1	1	1	1	1	1	1	1	1	1	1	1	1	
32	4015500	J-BOX COVER	1	1	1	1	1	1	1	1	1	1	1	1	1	1	1	1	1	1	1	1	1	1	1	1	1	1	1	

* B1282628 may substitute for B1282614 or B1282615.

I T E M	PART	DESCRIPTION	GMT									GDT				GMTH				GMNT					
			0	0	0	0	0	0	1	1	1	0	0	0	1	0	0	0	1	0	0	0	1	1	
			4	7	7	9	9	9	1	3	4	4	7	9	1	4	7	9	1	4	6	8	0	2	
			5	0	0	0	0	0	5	5	0	5	0	0	5	5	0	0	5	0	0	0	0	0	
			-	-	-	-	-	-	-	-	-	-	-	-	-	-	-	-	-	-	-	-	-	-	
3	3	4	3	4	5	5	5	5	3	3	4	5	3	4	5	5	3	3	4	4	5				
33	B1370819	DOOR SWITCH											1	1	1	1									
	B1370820	DOOR SWITCH	1	1	1	1	1	1	1	1	1	1					1	1	1	1	1	1	1	1	1
34	4023500	CHIMNEY (TOP)	1	1	1	1	1	1	1	1	1	1	1	1	1	1	1	1	1	1					
	B2523504	CHIMNEY (BOTTOM)	1	1	1	1	1	1	1	1	1	1	1	1	1	1	1	1	1	1					
35	B1370142	AIR PRESSURE SWITCH	1	1	1	1	1						1			1	1								
	B1370148	AIR PRESSURE SWITCH																		1					
	B1370150	AIR PRESSURE SWITCH											1								1		1		
	B1370158	AIR PRESSURE SWITCH						1	1											1					
	B1370159	AIR PRESSURE SWITCH																				1			
	B1370176	AIR PRESSURE SWITCH										1													
	B1370179	AIR PRESSURE SWITCH							1	1			1							1				1	
36	4078400S	WIRE HARNESS KIT, GMT & GMTH	1	1	1	1	1	1	1	1	1					1	1	1	1						
	4078401S	WIRE HARNESS KIT, GDT											1	1	1	1									
	4878400S	WIRE HARNESS KIT, GMNT																		1	1	1	1	1	
37	B4810704	DRAIN KIT ASM., 14"																		1	1				
	B4810705	DRAIN KIT ASM., 17.5"																				1			
	B4810706	DRAIN KIT ASM., 21"																					1		
	B4810707	DRAIN KIT ASM., 24.5"																						1	