

Pilot Burners

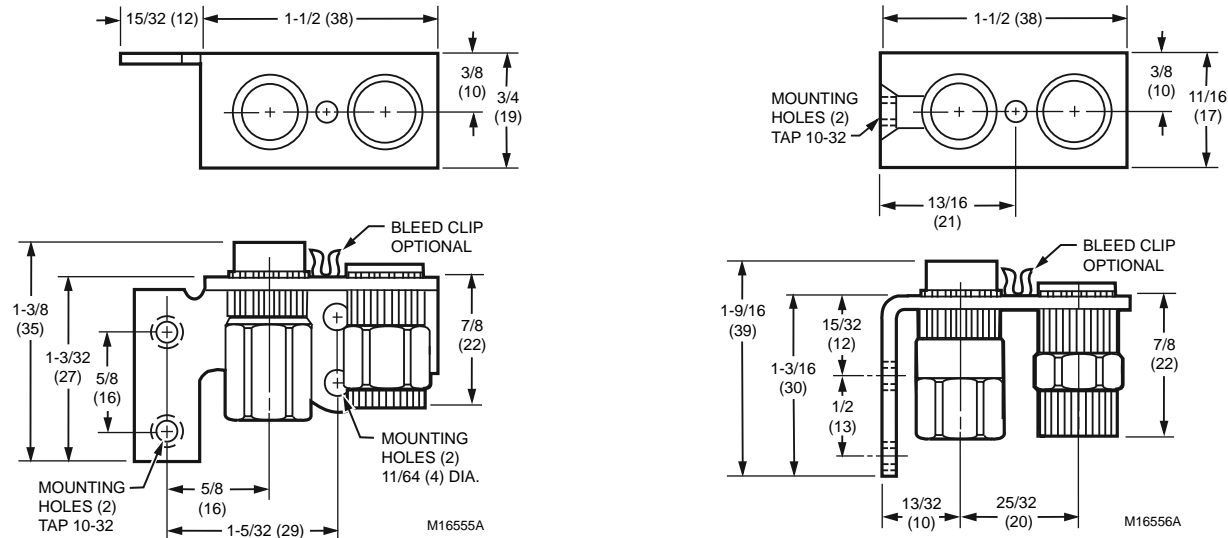
Q314 Pilot Burner



Non primary-aerated, insert orifice type pilot burner for main burner ignition. Used with Q309, Q340, Q340 thermocouples or Q313 thermopiles.

- Variety of mounting brackets available.
- Variety of tip styles to provide desired flame pattern.
- Interchangeable, color-coded orifice and inlet fittings can be ordered to convert between natural and LP gas.
- Single tip style.

Dimensions in inches (millimeters)



Approvals:
IAS: Certified File No. L2025001

Product Number	Type of Gas	Compression Fitting Size	Mounting Bracket	Tip Style	Direction of Front Tip	Orifice	Includes
Q314A3513	Natural	1/4 in.	A	Single	(F) Front	BCR-18 (0.018 in.)	—
Q314A3547	Natural	1/4 in.	A	Single	(L) Left	BCR-18 (0.018 in.)	—
• Q314A4586	LP; Natural	1/4 in.	B	Single	(F) Front	BBR-10 (0.010 in.); BCR-18 (0.018 in.)	Special mounting bracket with screws to convert "B" bracket to "A" bracket.
* Q314A6094	LP; Natural	1/4 in.	B	Single	(L) Left	BBR-10 (0.010 in.); BCR-18 (0.018 in.)	Special mounting bracket with screws to convert "B" bracket to "A" bracket.
* Q314A6102	LP; Natural	1/4 in.	B	Single	(K) Right	BBR-10 (0.010 in.); BCR-18 (0.018 in.)	Special mounting bracket with screws to convert "B" bracket to "A" bracket.

* TRADELINE models • SUPER TRADELINE models

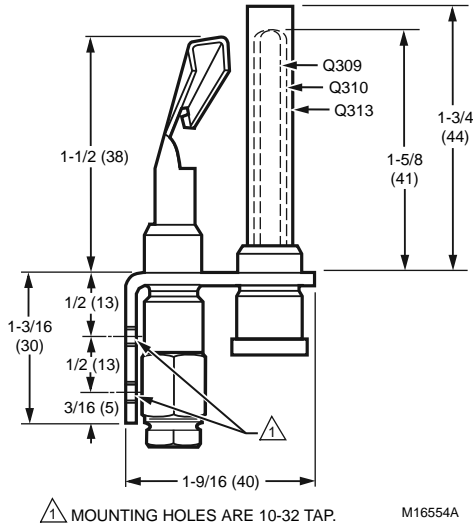
Q327 Pilot Burner



Primary-aerated, spud orifice type pilot burner for main burner ignition. Used with Q309, Q340, Q340 thermocouples or Q313 thermopiles.

- Variety of mounting brackets available.
- Variety of tip styles to provide desired flame pattern.
- Interchangeable, color-coded orifice and inlet fittings can be ordered to convert between natural and LP gas.
- Batwing tip style.

Dimensions in inches (millimeters)

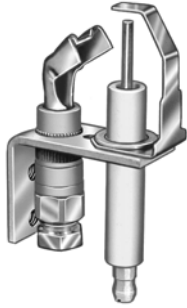


	Product Number	Type of Gas	Compression Fitting Size	Mounting Bracket	Tip Style	Orifice
*	Q327A1626	LP; Natural	1/4 in.	B	Batwing	K14 (0.014 in.); A26 (0.026 in.)
* TRADELINE models • SUPER TRADELINE models						

Residential
Combustion Controls

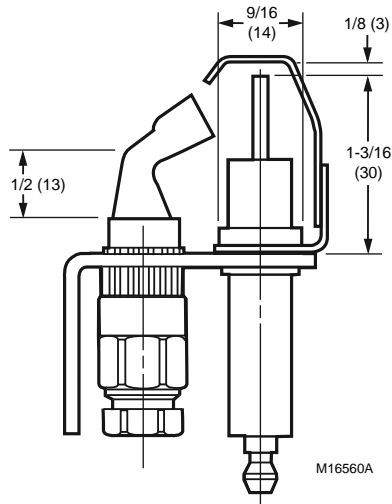
Pilot Burner Parts and Accessories

Q345 Igniter-Burner



- Non primary-aerated combination pilot burner and ignitor. Used with the S86, S860, S8610, or S8670 in intermittent pilot systems.**
- Includes pilot burner with bracket, ceramic-insulated Kanthal flame rod/spark igniter and ground strap.
 - Single tip style.

Dimensions in inches (millimeters)



Leadwire Temperature Ratings: (Max. at electrode tip: 968 C)

Accessories:
390686-1 .010 in. LP Orifice. Orifice is stamped BBR10

Product Number	Type of Gas	Compression Fitting Length	Compression Fitting Size	Mounting Bracket	Tip Style	Direction of Front Tip	Orifice	Includes
* Q345A1305	Natural	0.78 in.	1/4 in.	B	Single	(F) Front	BCR-18 (0.018 in.)	Special mounting bracket with screws to convert "B" bracket to "A" bracket.
* Q345A1313	Natural	0.78 in.	1/4 in.	B	Single	(L) Left	BCR-18 (0.018 in.)	Special mounting bracket with screws to convert "B" bracket to "A" bracket.
* Q345A1321	Natural	0.78 in.	1/4 in.	B	Single	(K) Right	BCR-18 (0.018 in.)	Special mounting bracket with screws to convert "B" bracket to "A" bracket.

* TRADELINE models • SUPER TRADELINE models

Residential Combustion Pilot Burner Accessories

Product Number	Description	
392431	Pilot Hardware for Y8610	