

E-HP Series

48 MWP. Disc Operated Refrigeration Solenoid Valves

Parker Sporlan **E-HP Series** solenoid valves have been especially developed for high pressure applications. Robust floating disc type construction makes **HP Series** an excellent choice for high pressure refrigerants, like R410a or subcritical CO₂, and heavy duty application, like hot gas service.

Technical Specification

Compatibility: CFC, HCFC and HFC refrigerants and blends including R410a, CO₂ and most refrigeration oils

MRP: 48.3 bar

Temperature range: 40°C to +49°C ambient and -40°C to 115°C fluid

Direct Acting

Valve Type	Part Number	Connections ODF		Port Size	Flow Coefficient Kv m ³ /h	Minimum Pressure Differential bar	Maximum Pressure Differential M.O.P.D.		Coil Type A.C./D.C.
		Inches	mm				A.C. (~) bar	D.C. (=) bar	
E2S120-HP	4101-00	1/4	1,9	1,9	0.13	0	31	27,6	MKC-1E
E2S130-HP	4106-00	3/8	1,9	1,9	0.13	0	31	27,6	MKC-1E

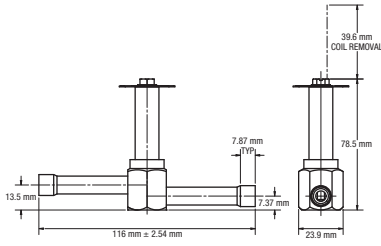
Pilot Operated

Valve Type	Part Number	Connections		Port Size	Flow Coefficient Kv m ³ /h	Minimum Pressure Differential bar	Maximum Pressure Differential M.O.P.D.		Coil Type A.C./D.C.
		Inches	mm				A.C. (~) bar	D.C. (=) bar	
E5S130-HP	4079-00	3/8	3.8	3.8	0.9	0.07	31	27.6	MKC-1E
E6S130-HP	3233-00	3/8	4.8	4.8	0.8	0.07	31	27.6	MKC-1E
E6S140-HP	4122-00	1/2	4.8	4.8	0.8	0.07	31	27.6	MKC-1E
E9S240-HP	4033-00	1/2	7.1	7.1	1.3	0.07	31	27.6	MKC-2E
E9S250-HP	3402-00	5/8	7.1	7.1	1.3	0.07	31	27.6	MKC-2E
E10S240-HP	3525-00	1/2	7.9	7.9	1.8	0.07	31	27.6	MKC-2E
E10S250-HP	3448-00	5/8	7.9	7.9	1.8	0.07	31	27.6	MKC-2E
E14S250-HP	4100-00	5/8	11	11	2.5	0.07	31	27.6	MKC-2E
E14S270-HP	4215-00	7/8	11	11	2.5	0.07	31	27.6	MKC-2E
E19S250-HP	4072-00	5/8	15	15	3.9	0.07	31	27.6	MKC-2E
E19S270-HP	4077-00	7/8	15	15	3.9	0.07	31	27.6	MKC-2E
E25S270-HP	4089-00	7/8	20	20	6.7	0.07	31	27.6	MKC-2E
E25S290-HP	4078-00	1-1/8	20	20	6.7	0.07	31	27.6	MKC-2E
E35S190-HP	3316-00	1-1/8	26	26	9.3	0.07	31	27.6	MKC-1E
E35S1110-HP	4099-00	1-3/8	26	26	9.3	0.07	31	27.6	MKC-1E
E42S2130-HP	4074-00	1-5/8	34	34	20.4	0.07	31	27.6	MKC-2E
E42S2170-HP	4148-00	2-1/8	34	34	20.4	0.07	31	27.6	MKC-2E

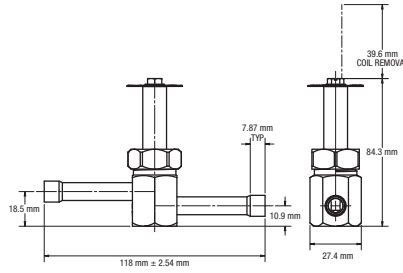
For all requests, consult your nearest Parker Sporlan Wholesaler or contact us on:
racecustomerservice@parker.com / www.parker.com/race

Valve Dimensions

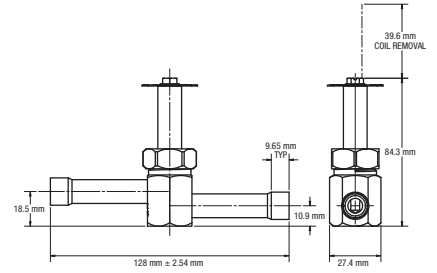
E5S130-HP



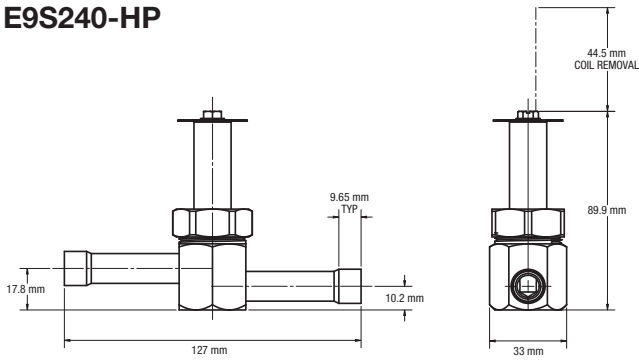
E6S130-HP



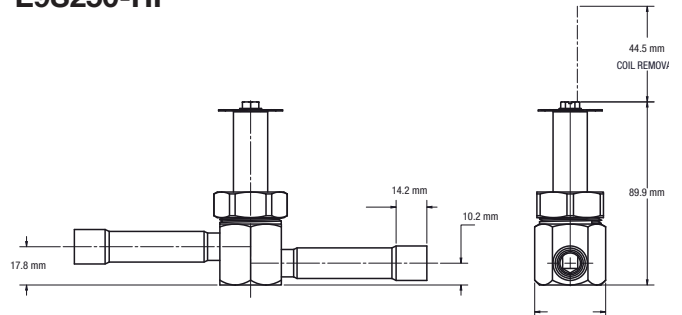
E6S140-HP



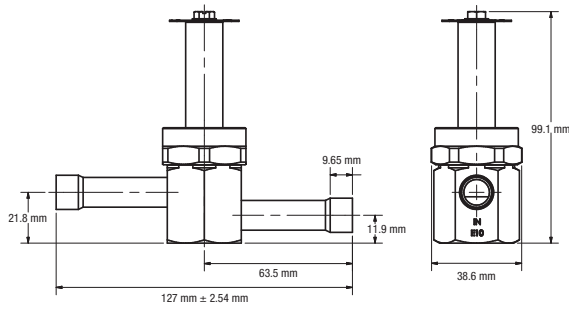
E9S240-HP



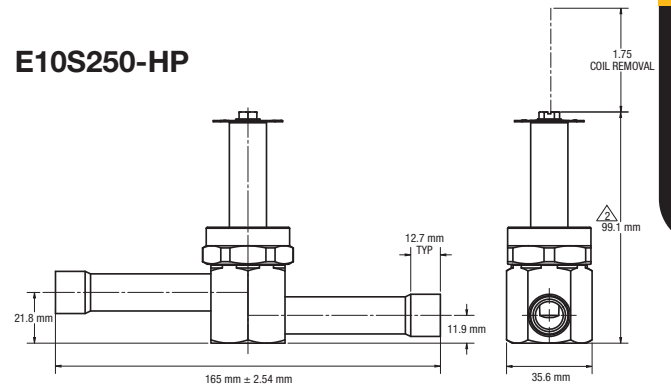
E9S250-HP



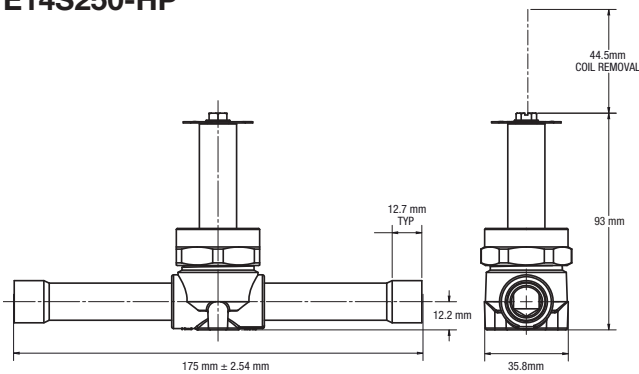
E10S240-HP



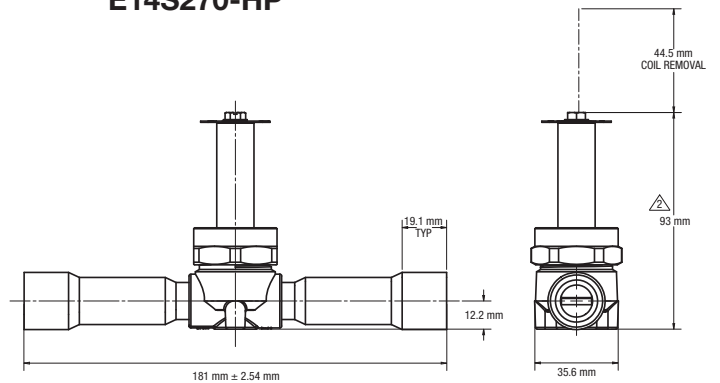
E10S250-HP



E14S250-HP



E14S270-HP



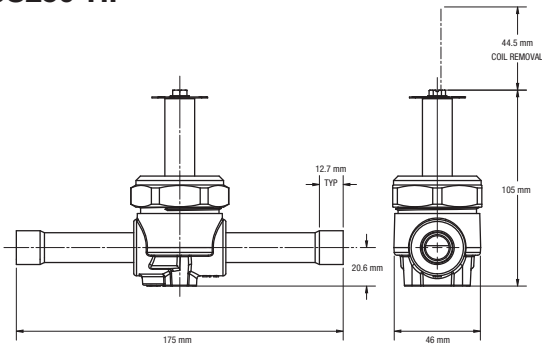
Accurate at the time of going to print.

For all requests, consult your nearest Parker Sporlan Wholesaler or contact us on:
racecustomerservice@parker.com / www.parker.com/race

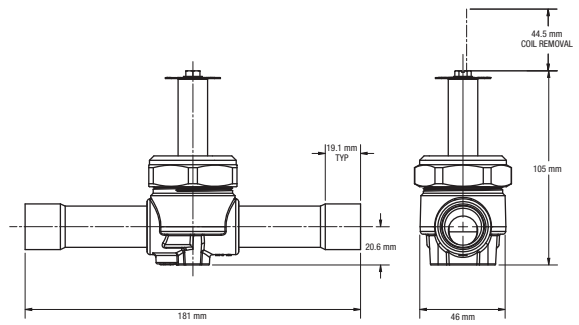


Valve Dimensions

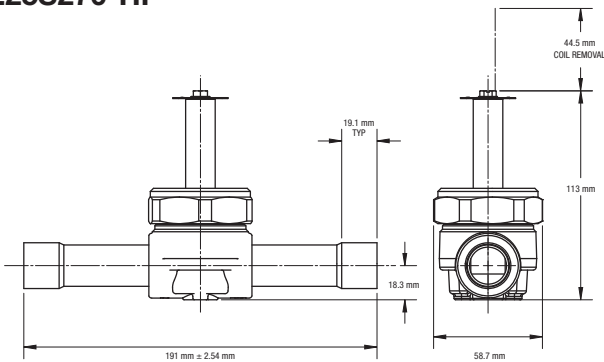
E19S250-HP



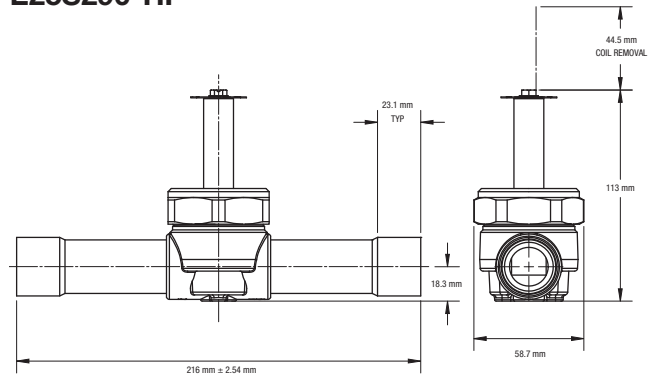
E19S270-HP



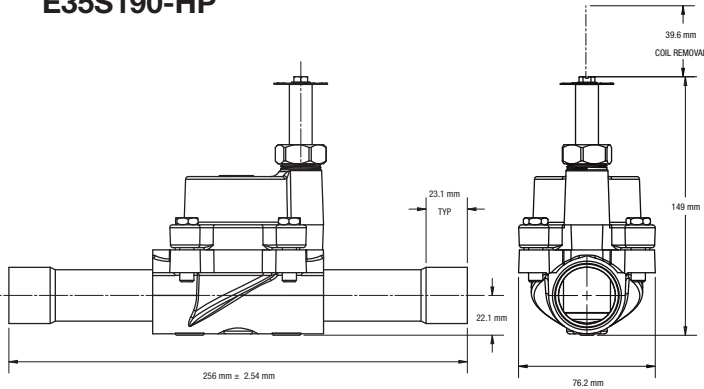
E25S270-HP



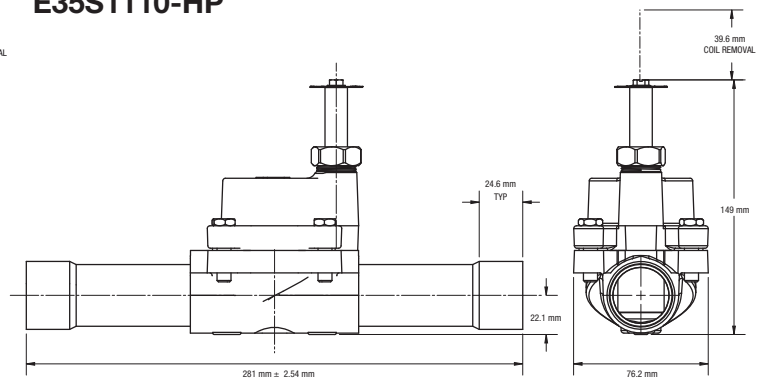
E25S290-HP



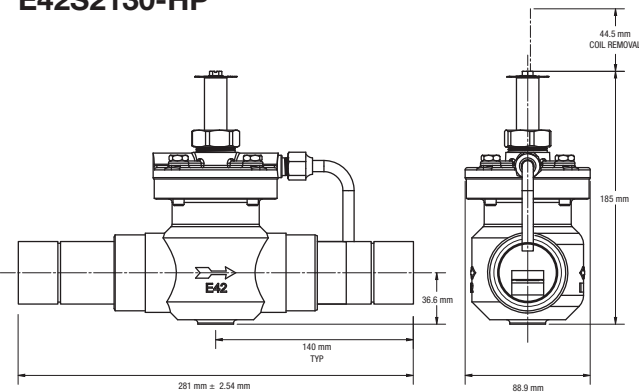
E35S190-HP



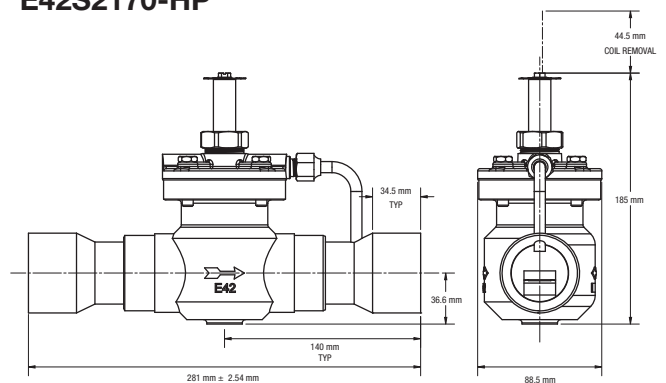
E35S1110-HP



E42S2130-HP



E42S2170-HP



For all requests, consult your nearest Parker Sporlan Wholesaler or contact us on: racecustomerservice@parker.com / www.parker.com/race

Accurate at the time of going to print.