

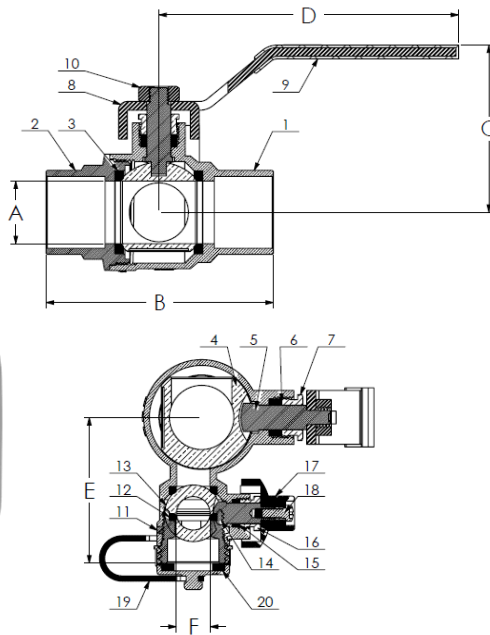
THIS SPACE FOR DESIGNER/ENGINEER APPROVAL

| | | |
|-------------------------|------------|------------------------|
| Job/Customer _____ | Date _____ | Contractor _____ |
| Model Specified _____ | Qty _____ | Approved By _____ |
| Designer/Engineer _____ | Date _____ | Contractor's PO# _____ |
| Submitted by _____ | Date _____ | Other _____ |

5061 Series
Full Port Forged Brass Ball Valves
w/ Hi-Flow Hose Drain & Reversible Handle
SWT
600 WOG
ISO 9001



| ITEM # | SIZE | CTN | CASE | A | B | C | D | E | F |
|--------|--------|-----|------|-------|--------|--------|-------|--------|-----|
| 50612 | 1/2" | 6 | 36 | 1/2 | 2 | 2 | 3 7/8 | 2 1/2 | 1/2 |
| 50613 | 3/4" | 6 | 36 | 3/4 | 2 7/8 | 2 1/16 | 3 7/8 | 2 3/8 | 1/2 |
| 50614 | 1" | 4 | 24 | 1 | 3 9/16 | 2 5/8 | 4 5/8 | 2 1/2 | 1/2 |
| 50615 | 1 1/4" | 2 | 12 | 1 1/4 | 3 7/8 | 3 | 4 5/8 | 3 | 3/4 |
| 50616 | 1 1/2" | 2 | 12 | 1 1/2 | 4 5/8 | 3 1/2 | 5 5/8 | 3 1/16 | 3/4 |
| 50617 | 2" | 1 | 6 | 2 | 5 1/2 | 4 | 5 5/8 | 4 | 3/4 |



| NO. | DESCRIPTION | MATERIAL |
|-----|---------------|------------------------|
| 1 | BODY | BRASS |
| 2 | END CAP | BRASS |
| 3 | SEAT | PTFE |
| 4 | BALL | BRASS HCP |
| 5 | STEM | BRASS |
| 6 | STEM SEAL | PTFE |
| 7 | PACKING GLAND | BRASS |
| 8 | LEVER HANDLE | STEEL CP |
| 9 | HANDLE JACKET | VINYL |
| 10 | HANDLE NUT | STAINLESS STEEL |
| 11 | END CAP | BRASS |
| 12 | SEAT | PTFE |
| 13 | BALL | BRASS HCP |
| 14 | STEM | BRASS |
| 15 | STEM SEAL | PTFE |
| 16 | PACKING GLAND | BRASS |
| 17 | HANDLE | ENAMEL COATED ALUMINUM |
| 18 | HANDLE SCREW | BRASS |
| 19 | CAP & STRAP | BRASS W/ EPDM STRAP |
| 20 | WASHER | EPDM |

| TEMP °F | PSI |
|---------|-----|
| 100 | 600 |
| 150 | 485 |
| 200 | 395 |
| 250 | 210 |
| 300 | N/A |
| 350 | N/A |
| 366 | N/A |

Specifications: Designed for residential, commercial or industrial use with water, oil or gas. This approved Webstone valve is actuated by a blowout proof stem and features an adjustable packing gland. Solder joint temperature ratings are per ASME B16.18 Annex A for 95-5 solder. Other solder materials have lower pressure/temperature limits. Do not silver braze or overheat valves when soldering.



Quality and Commitment Since 1954

www.webstonevalves.com · P: (800) 225-9529 · F: (800) 336-5133

Webstone product specifications in U.S. customary units are approximate and are provided for reference only. Webstone reserves the right to change or modify product design, construction, specifications or materials without prior notice and without incurring any obligation to make such changes and modifications on Webstone products previously or subsequently sold.