

### FEATURES

- + Includes 8120X ventilation controller, damper, 24 VAC transformer, outdoor temperature sensor and ductboard bracket for 8120X
- + Can be set for Code or Comfort (factory default setting)
- + Measures outdoor temperature to stop ventilation at adjustable high and low outdoor temperature lockouts
- + Measures indoor humidity to stop ventilation at adjustable high and low humidity lockouts
- + Control programming maintains ASHRAE 62.2-2010 even during high and low temperature limit lockouts
- + Damper designed to be left in ductwork if actuator fails
- + Installation flexibility – ability to override humidity and temperature control
- + Easy access to rater information (amount of CFM brought into the home, etc.)

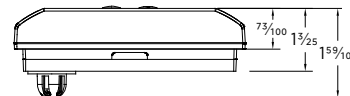
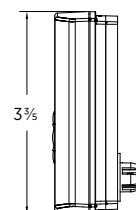
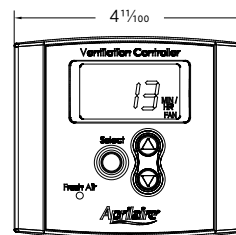


### BENEFITS

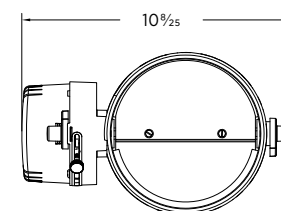
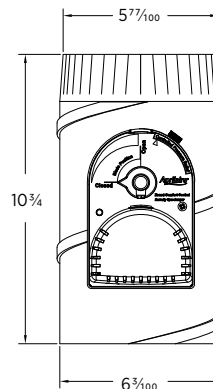
- + Designed to meet ventilation requirements. Conforms to latest building and energy codes.
- + Easy to install and set up, saving you time and money
- + Increased customer comfort and energy savings over other economical ventilation options
- + Flexible setup allows you to meet every application

## PRODUCT SPECIFICATIONS

SPECIFICATIONS	
Overall Controller Dimensions	4 <sup>11</sup> / <sub>100</sub> " W x 3 <sup>3</sup> / <sub>5</sub> " H x 1 <sup>59</sup> / <sub>100</sub> " D
Duct Opening Dimensions (for humidity sensor)	5/8" dia. in sheet metal, 5 <sup>3</sup> / <sub>4</sub> " X 5 <sup>1</sup> / <sub>4</sub> " for ductboard (ductboard bracket included)
Input Power for the Control (from the HVAC system transformer)	24 VAC, 2 VA
Damper (vent) and GH outputs	10 VA @ 30 VAC max
HVAC Equipment Terminals	R, C, W, Y, O, GS, GH
Equipment Compatibility	Furnace and AC or Heat Pump
Outdoor Temperature Sensor Inputs	Thermistor (provided)
Damper Transformer (provided)	24 VAC, 10 VA
Compliance	ASHRAE 62.2-2010
Installation Temp Limits	20°F - 140°F
Damper Size	6" dia.
Overall Damper Dimensions (with actuator)	10.75" H x 10.32" dia.
Max Static Pressure	1" w.c.
Max System Velocity	1000 ft/min
Total Power Consumption	10 VA (6 watts)

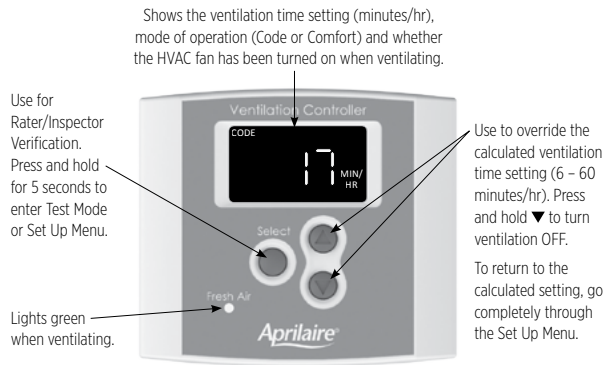


90-2286



90-2159

## Controller Interface



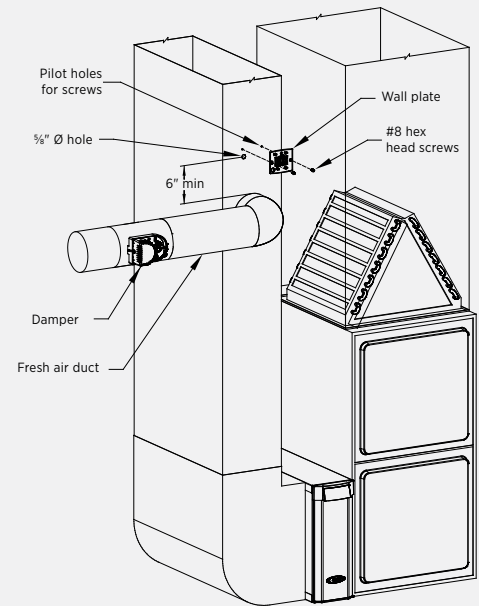
### SEQUENCE OF OPERATION – “CODE” SETTING

- + The control will open the vent damper with a heating, cooling or fan call for the set number of minutes during a one-hour cycle period. If the outdoor temperature is above the high temperature ventilation limit, ventilation will not occur with a cool or fan call, but if it is below the low temperature ventilation limit it will occur with a heat call.
- + If the HVAC equipment does not turn on enough to meet the ventilation time within the hour, the control will open the vent damper and turn on the HVAC blower without a call, but only if the outdoor air temperature is within the high and low ventilation temperature limits.
- + If the outdoor air temperature is outside of the limits at the end of the one-hour cycle period, then no additional ventilation will occur for another 60 minutes, and the cycle period will automatically adjust to four hours. The controller will then attempt to meet the set amount of ventilation during the four-hour cycle period.
- + If the air temperature is still out of range at the end of the four-hour cycle period, the control will automatically switch to an eight-hour cycle period, then a 12-hour cycle period and finally a 24-hour cycle period. During eight, 12 and 24 hour cycle periods, the total ventilation time increases to compensate for ventilation effectiveness as defined in ASHRAE Standard 62.2-2010.
- + When the cycle period automatically adjusts to 24-hours, the control will turn on ventilation to meet the requirements even if the temperature is outside of the set limits.

### SEQUENCE OF OPERATION – “COMFORT” SETTING

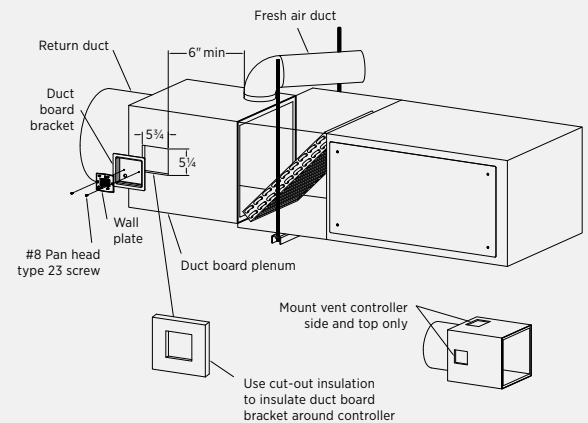
- + The control will open the vent damper with a heating, cooling or fan call if the outdoor air temperature is within the high and low ventilation temperature limits and the indoor RH is within the high and low RH limits, for the set number of minutes during a one-hour cycle period.
- + If the HVAC equipment does not turn on enough to meet the ventilation time within the hour, the control will open the vent damper and turn on the HVAC fan without a call, if the outdoor air temperature and indoor RH is within the set limits. If the outdoor temperature or indoor RH are outside of the set limits, then no ventilation will occur.

## Sheet metal installation



90-2269

## Duct board installation



90-2264